

## Low Power 16-bit Single Chip Microcontroller

- Low power MCU (Operating voltage 1.8V、 Power consumption SLEEP 0.5 uA, HALT 3.3 mA)
- High code density and high processing power 16bitRISC C17CPU, optimize to C, serial ICE
- 128KB ROM, 8KB RAM
- 10-bit ADC
- Infrared Remote Controller Circuit

### ■ DESCRIPTIONS

The S1C17002 is a cost effective, high performance and compact 16-bit RISC application specific controller (ASC). It is suitable for various products that require analog inputs and interfaces for connection, such as healthcare goods, sensor systems, alarms, home electric appliance (rice cookers, microwave ovens and remote controllers).

The S1C17002 consists of a S1C17 16-bit compact RISC CPU Core, a 128K-byte ROM, an 8K-byte RAM, a 10-bit ADC with four analog input channels, a 16-bit multi-function timer, an infrared remote controller, serial interfaces (UART with IrDA 1.0, SPI and I2C), an RTC, 16-bit and 8-bit timers, a watchdog timer, and GPIO ports.

The S1C17002 provides a 16 bits × 16 bits + 32 bits MAC (multiply and accumulate) and 16 bits ÷ 16 bits division functions to implement a DSP function.

The S1C17002 has adopted the EPSON SoC (System on Chip) design technology using 0.18 μm mixed analog low power CMOS process.

### ■ FEATURES

#### ● CPU

Seiko Epson original 16-bit RISC processor S1C17 Core

Internal 3-stage pipeline

Instruction set

- 16-bit fixed length
- 111 basic instructions (184 including variations)
- Compact and fast instruction set optimized for development in C language

Registers

- Eight 24-bit general-purpose registers
- Three special registers (24-bit × 2, 8-bit × 1)

Memory space

- Up to 16M bytes accessible (24-bit address)

#### ● Internal Memories

Mask ROM

- 128K bytes

RAM

- 8K bytes

#### ● Operating Clock

Main clock

- 20 MHz (max.)
- On-chip oscillator (crystal or ceramic) or external clock input

Sub clock

- 32.768 kHz (typ.) for the RTC, usable as the main clock
- On-chip oscillator (crystal) or external clock input

#### ● Interrupt Controller

Four non-maskable interrupts

- Reset (#RESET pin or watchdog timer)
- Address misaligned
- Debug
- NMI (watchdog timer)

29 maskable interrupts

- Port inputs (eight systems)
- 16-bit multi-function timer (one system)
- A/D converter (two systems)
- 16-bit timer of clock generator (one system)
- 8-bit timers of clock generator (three systems)
- UART (one system)
- SPI (one system)

# S1C17002

- I2C master (one system)
- I2C slave (two systems)
- RTC (one system)
- 8-bit programmable timers (four systems)
- 8-bit OSC1 timers (two systems)
- Extended SPI (one system)
- Remote controller (one system)
- The interrupt level (priority) of each maskable interrupt system is configurable (levels 0 to 7).

## ● Prescaler

Generates the source clocks for the clock generator.

## ● 16-bit Multi-Function Timer

One channel of 16-bit timer/counter with PWM output function is available.

Can generate two compare-match interrupts.

Supports the IGBT output control function using the A/D converter out-of-range signal.

## ● Clock Generator

One channel of 16-bit timer and three channels of 8-bit timers are available.

Can be used as the clock source for the UART, SPI, and I2C master.

Each timer can generate an underflow interrupt.

## ● 8-bit Programmable Timers

Four channels of 8-bit timers (presetable down counter) are available.

Can be used as an interval timer to trigger the ADC.

Each timer can generate an underflow interrupt.

## ● 8-bit OSC1 Timers

Two channels of 8-bit timers (presetable down counter) that are driven with the OSC1 clock are available.

Each timer can generate an underflow interrupt.

## ● Watchdog Timer

30-bit watchdog timer to generate a reset or an NMI

The watchdog timer overflow period (reset or NMI interrupt period) is programmable.

The watchdog timer overflow signal can be output outside the IC.

## ● RTC

Contains time counters (second, minute, and hour) and calendar counters (day, day of the week, month, and year).

Periodic interrupts are possible.

## ● UART

One channel of UART is available.

Supports IrDA 1.0 interface.

Two-byte receive data buffer and one-byte transmit buffer are built in to support full-duplex communication.

Transfer rate: 150 to 460800 bps, character length: seven or eight bits, parity mode: even, odd, or no parity, stop bit: one or two bits

Parity error, framing error, and overrun error detectable

Each channel can generate receive buffer full, transmit buffer empty, and receive error interrupts.

## ● SPI

Supports both master and slave modes.

One-byte receive data buffer and one-byte transmit buffer are built in.

Data length: eight bits fixed (MSB first)

Data transfer timing (clock phase and polarity variations) is selectable from among 4 types.

Can generate receive buffer full and transmit buffer empty interrupts.

## ● Extended SPI

Supports both master and slave modes.

One-byte receive data buffer and one-byte transmit buffer are built in.

Data length: eight bits fixed (MSB first)

Data transfer timing (clock phase and polarity variations) is selectable from among 4 types.

Can generate receive buffer full and transmit buffer empty interrupts.

Exclusive clock source is available.

## ● I<sup>2</sup>C Master

Data format: 8 bits (MSB first)

Addressing mode: 7-bit addressing (10-bit addressing is not supported.)

Incorporates a noise rejector (can be enabled by a register).

Can generate receive buffer full and transmit buffer empty interrupts.

## ● I<sup>2</sup>C Slave

Data format: 8 bits (MSB first)

Addressing mode: 7-bit addressing (10-bit addressing is not supported.)

Supports a clock stretch function

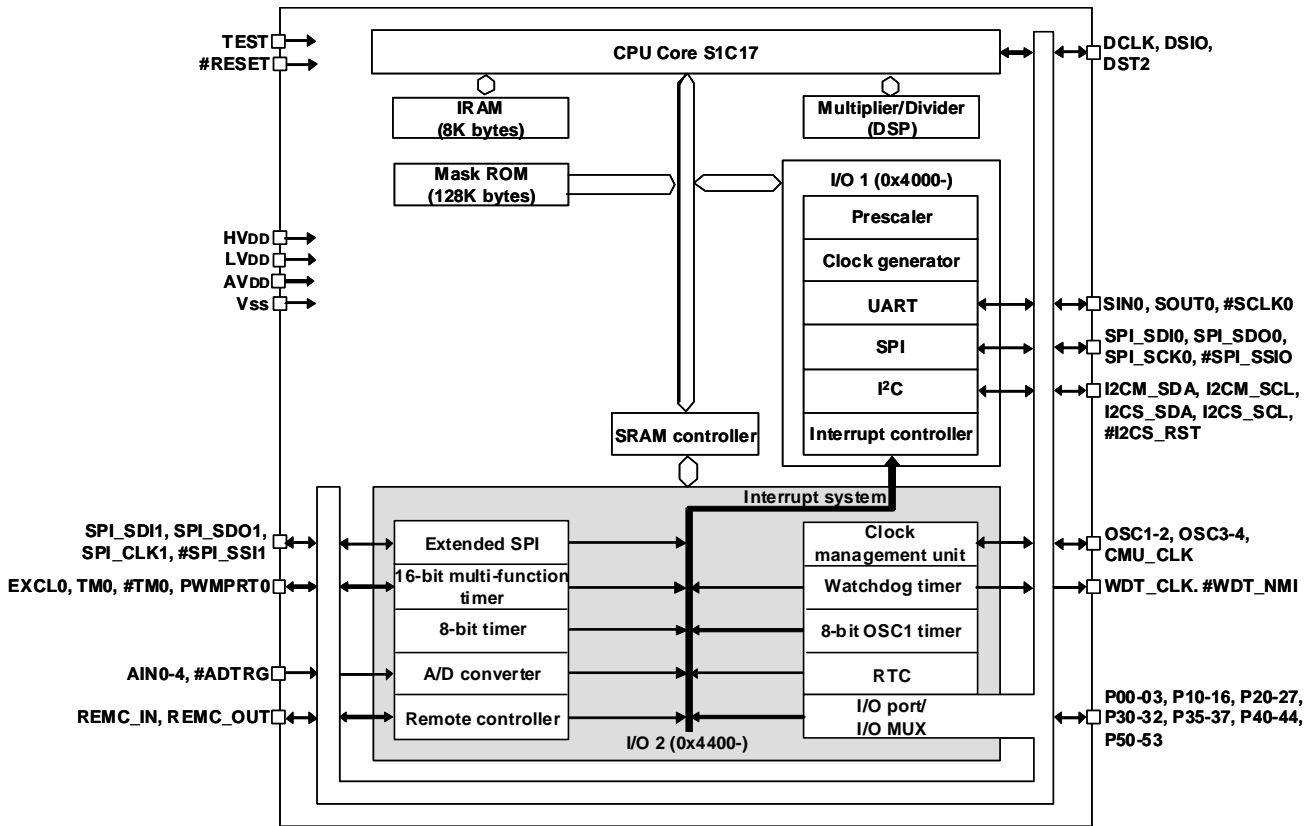
Incorporates a noise rejector (can be enabled by a register).

Can generate receive, transmit, and bus status interrupts.

- Infrared Remote Controller
  - Outputs a modulated carrier signal and inputs remote control pulses.
  - Embedded carrier signal generator and data length counter.
  - Can generate REMC interrupts.
- General-Purpose I/O Ports
  - Maximum 30 I/O ports and four input ports are available.
  - Can generate input interrupts from the six ports selected with software.
  - \* The GPIO ports are shared with other peripheral function pins (UART, PWM etc.). Therefore, the number of GPIO ports depends on the peripheral functions used.
- A/D Converter
  - 10-bit A/D converter with up to four analog input ports
  - Can generate an end of conversion interrupt and an out of range interrupt.
  - Outputs an out of range signal to the IGBT circuit in the 16-bit multi-function timer module.
- Operating Voltage
  - HVDD (for I/O): 1.65 to 3.60 V
  - LVDD (for Core): 1.65 to 1.95 V
  - AVDD (for ADC): 2.70 to 3.60 V (1.65 to 3.60 V\*)
  - \* The AVDD voltage range can be changed to 1.65 to 3.60 V only when the ADC is not used and the P0x pins are used as digital signal input pins, not analog input pins. However, the high and low level input voltages of the digital signals must be AVDD and GND, respectively.
- Operating Temperatures
  - 40 to 85° C
- Current Consumption
  - During SLEEP: 1.8  $\mu$  A (typ.) 32 kHz/1.8 V, RTC = On
  - During HALT: 1.3 mA (typ.) 20 MHz/1.8 V
  - During execution: 3.8 mA (typ.) 20 MHz/1.8 V
  - \* By controlling the clocks through the Clock-Gear (CMU), power consumption can be reduced.
- Shipping Form
  - TQFP12-64pin (7 mm  $\times$  7 mm  $\times$  1.2 mm, 0.4 mm pin pitch)
  - WCSP-48 (3.124 mm  $\times$  3.124 mm  $\times$  0.78 mm, 0.4 mm ball pitch)
  - Bare chip

# S1C17002

## ■ Block Diagram



### NOTICE:

No part of this material may be reproduced or duplicated in any form or by any means without the written permission of Seiko Epson. Seiko Epson reserves the right to make changes to this material without notice. Seiko Epson does not assume any liability of any kind arising out of any inaccuracies contained in this material or due to its application or use in any product or circuit and, further, there is no representation that this material is applicable to products requiring high level reliability, such as, medical products. Moreover, no license to any intellectual property rights is granted by implication or otherwise, and there is no representation or warranty that anything made in accordance with this material will be free from any patent or copyright infringement of a third party. This material or portions thereof may contain technology or the subject relating to strategic products under the control of the Foreign Exchange and Foreign Trade Law of Japan and may require an export license from the Ministry of Economy, Trade and Industry or other approval from another government agency.

All brands or product names mentioned herein are trademarks and/or registered trademarks of their respective companies.

©Seiko Epson Corporation 2009, All rights reserved.

## SEIKO EPSON CORPORATION

SEMICONDUCTOR OPERATIONS DIVISION

IC Sales Department  
 IC International Sales Group  
 421-8 Hino, Hino-shi, Tokyo 191-8501, JAPAN  
 Phone: 042-587-5814 FAX: 042-587-5117

■ Epson semiconductor website

[http://www.epson.jp/device/semicon\\_e/](http://www.epson.jp/device/semicon_e/)

Document code: 411826400

First issue Oct, 2009